



City of Reedley

Building/Engineering/Public Works
1733 9th Street
Reedley, CA 93654-2917
(209) 637-4200
FAX 637-2139

BUILDING DEPARTMENT

Request for Temporary Electrical Power

The undersigned requests and is hereby granted temporary gas and/or electrical service for the property indicated below. The undersigned agrees:

1. That said temporary service will be in his/her absolute control at all times and that the City of Reedley shall be held free and clear of all liability for any and all injuries or damages caused by the misuse or abuse of said service.
2. That the structure or structures served by said temporary service will not be occupied prior to issuance of a final inspection, and/or "Certificate of Occupancy".
3. That the Building Department shall retain the right to cancel said temporary service at any time upon finding the terms of this agreement to be violated.

Signed _____ Date _____

Property Address: _____

Building Permit No.: _____

Date of Authorization by the Building Official _____

BUILDING OFFICIAL

Date of cancellation by the Building Official _____

BUILDING OFFICIAL

FIGURE III-2
TEMPORARY SERVICE POLE

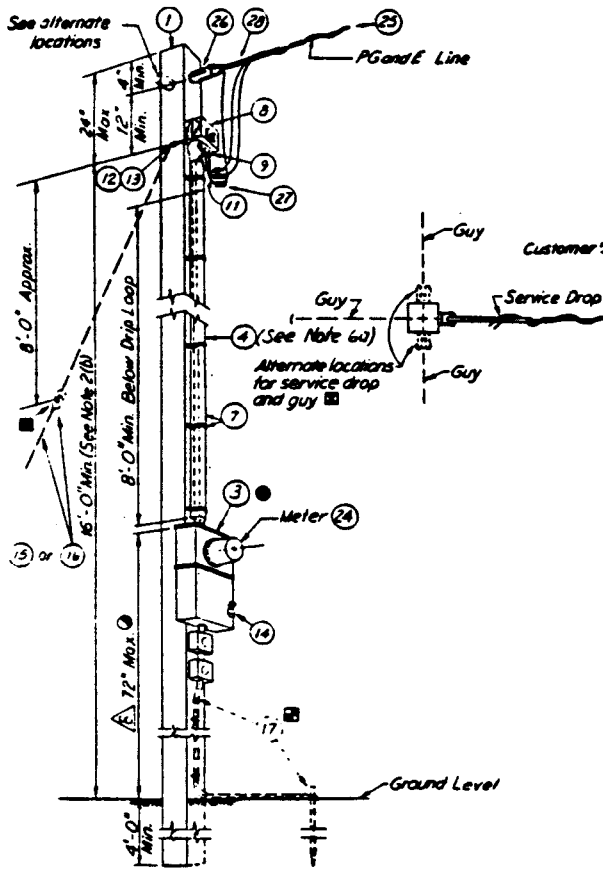


FIG. 2. SERVICE DROP CABLE TO RECEPTACLES

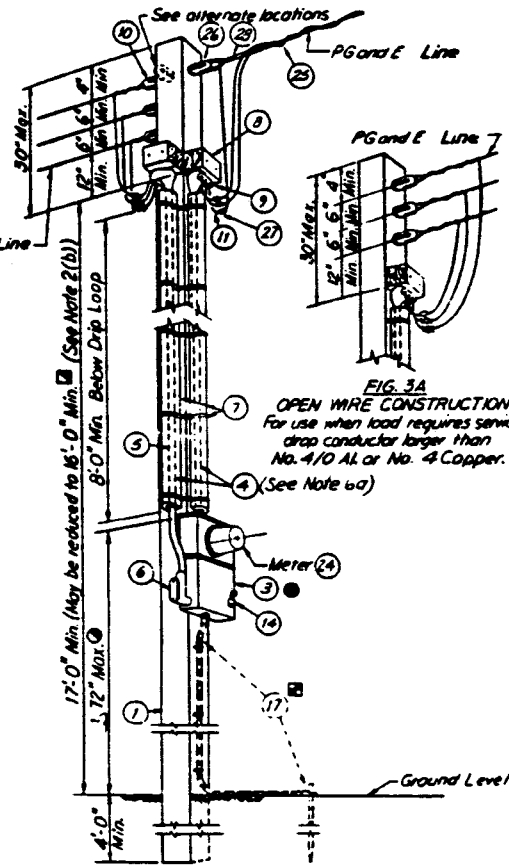


FIG. 3. SERVICE DROP CABLE TO OVERHEAD LINE

MATERIALS TO BE FURNISHED AND INSTALLED BY THE CUSTOMER	
ITEMS	
1	Pole, 6" x 6" Timber or equiv. metal Length as req'd. The butt of the temporary wood service pole shall be painted with creosote or other approved preservative.
3	Meter Socket, Main Service Switch
4	Conduit, Service
5	Conduit, Load Side, Rigid Galv. Steel. Size as req'd or Sch. 80 PVC Plastic
6	Conduit Fitting, Threaded with Cover and Gasket
7	Covering, Wood or Fiber Conduit with Plumber's Tape
8	Wood Block (4" x 4" x 6" or two 2" x 4" x 6" nailed together)
9	Service Head
10	Service Knob
11	Wire, Insulated Size as req'd. (18" Min. Extension from Service Head)
12	Eyebolt, 5/8" Length as req'd. Galv.
13	Washer 2-1/4" Sq. for 5/8" Bolt Size. Galv.
14	Padlock, for Main Service Switch
15	Guy Cable, 1/4" Min. Galv. Steel or equiv. with Guy Strain Insulator (10,000 lb. Min.).
16	Push Brace, 2" x 4" Min. Timber (Securely bolted to pole)
17	Grounding by customer
Omit Conduit Covering, Item 7, and Wood Block, Item 8, on metal pole or on wood pole with plastic conduit. Exception: Wood block is required for wood pole with plastic conduit when service head is metallic and the neutral service entrance conductor is uninsulated.	